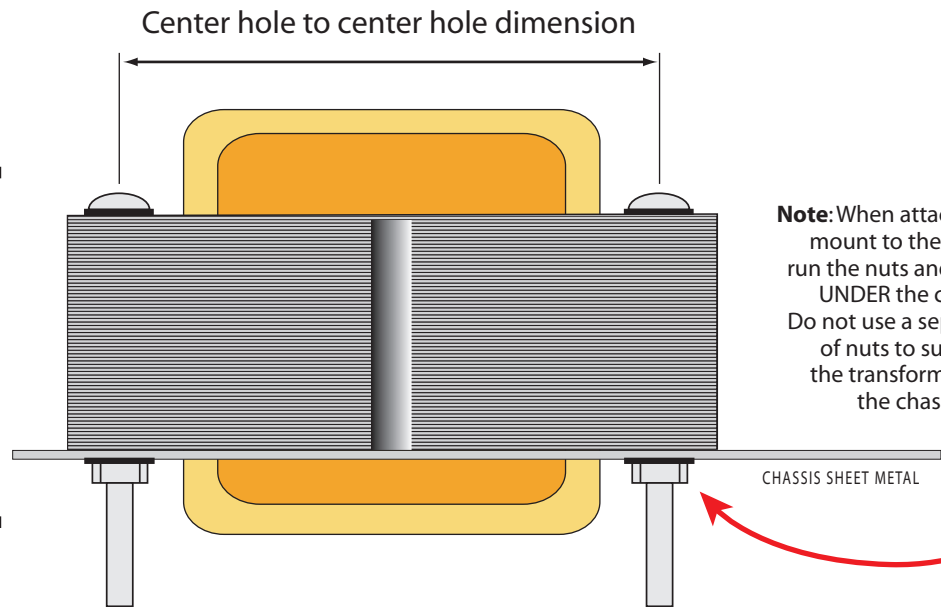
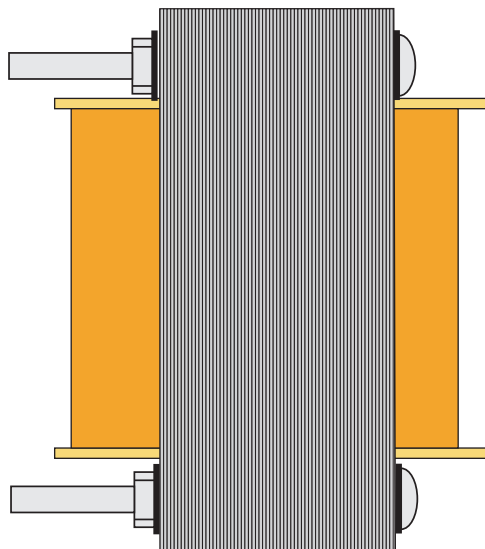
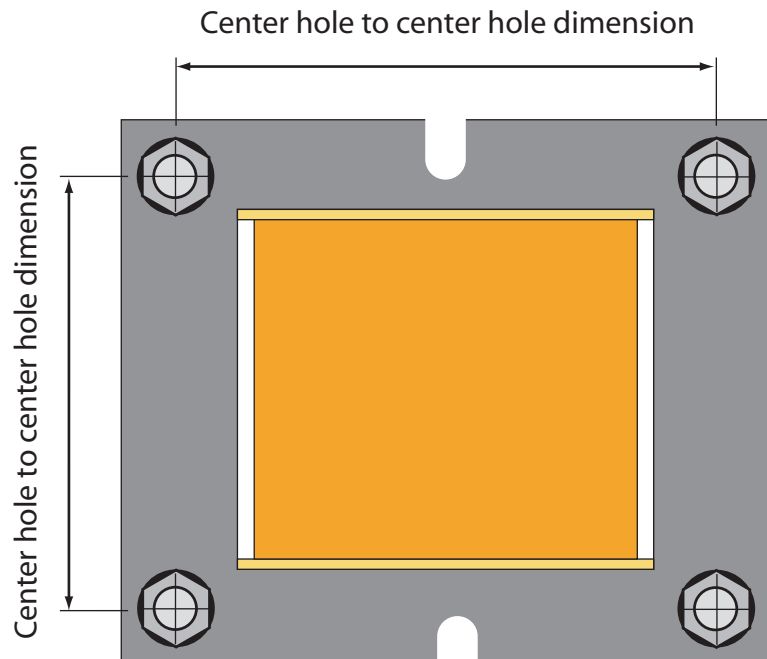


FLAT MOUNT (4-HOLE)



Note: When attaching a flat mount to the chassis run the nuts and washers **UNDER** the chassis. Do not use a separate set of nuts to suspend the transformer over the chassis.